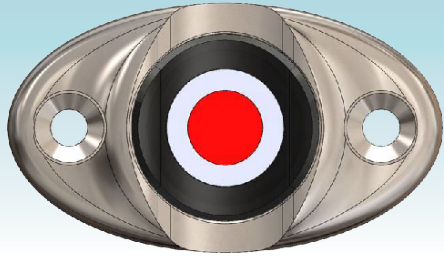




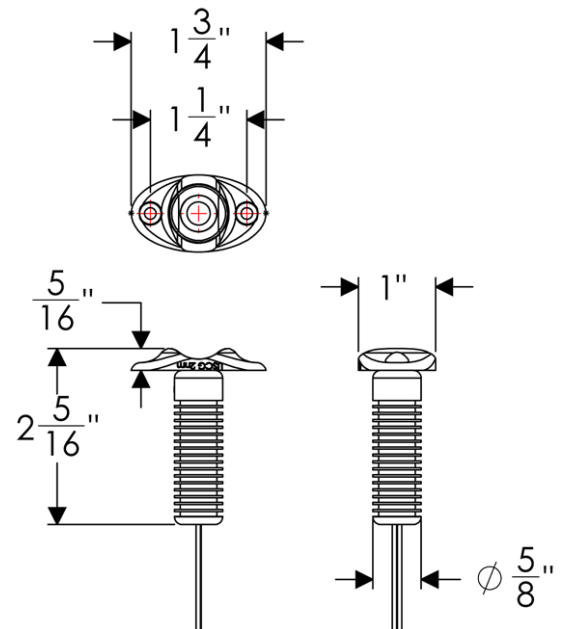
## SURFACE MOUNT LED SIDE NAVIGATION LIGHT SET 1-3/4"



With innovation and elegance in mind, we developed the Surface Mount LED Navigation Light Set - a pair of low-profile lights mounted in a heavy-gauge stainless steel cover designed to fit on flat surfaces and ideal for up to 40' boats.

### FEATURES & BENEFITS

- Ideal for boats up to 40' long
- Provides reliable, long-lasting LED lighting for thousands of hours of maintenance-free use
- 3-watt red and green LED with a low draw of only 0.6 amps that compares to 10-watt incandescent light
- Easy installation with marine adhesive sealants
- Provides 112.5° unobstructed view with less glare
- Meets ABYC-USCG requirements for both sail and powerboat designation 2nm
- Low-voltage 12 to 14 VDC
- Anodized cylindrical aluminum heat sink for maximum heat dissipation
- LED light is mounted in a heavy-gauge, polished stainless-steel cover for a clean and unobtrusive look
- Water-resistant IP68 rating



The compliance date for ABYC A-16, Installation of Electric Navigation Lights, and C-5, Construction and Testing of Electric Navigation Lights, went into effect on August 1, 2023. All TACO Marine Navigation, Masthead, and All-Around Lights meet the requirements set forth and are approved under the NMMA Type Accepted Agreement. Additionally, all TACO Marine Navigation Lights have always used LED Cree chip technology. Please see below for documented approval of the required testing:

#### C-5 Testing

All-Around (F38-9000 Root Part Number)

Component ID 2619819

<https://www.ect.nmma.org/00001205/component/application/2619819/details>

#### C-5 Compliant

Navigation Lights (Side Lights)

Component ID 2619788

<https://www.ect.nmma.org/00001205/component/application/2619788/details>

*Proper installation of Navigation Lights is very important.  
Please contact TACO Marine customer service before purchasing or installing.*

PART NUMBER	DESCRIPTION	WIDTH	DEPTH	AMP DRAW	UPC
F38-6610D	Surface Mount LED Side Navigation Light Set 1-3/4"	1-3/4"	3/8"	0.6 amps @ 12V	630971089676